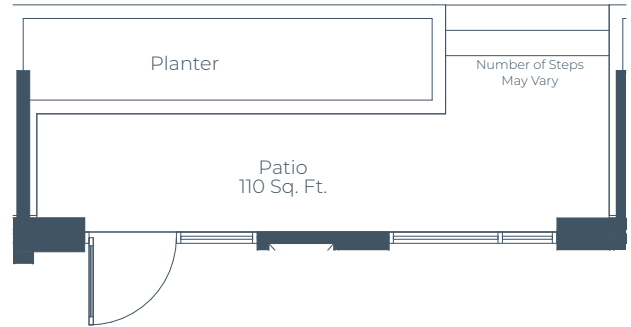
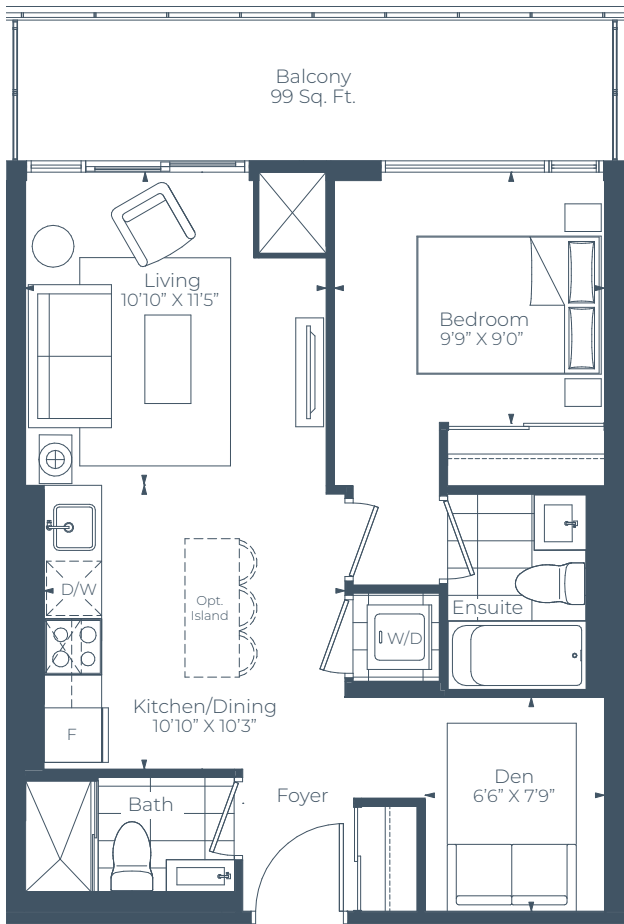


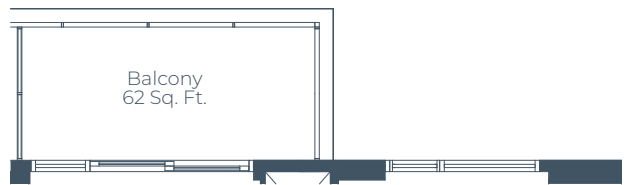
SUITE TYPE 1T

1 BEDROOM + DEN • 2 BATH

INTERIOR SQ FT: 597 EXTERIOR SQ FT: 99 TOTAL SQ FT: 696

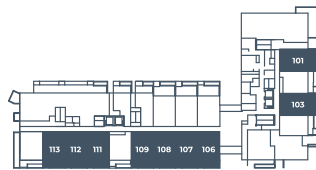


UNITS: 101A,103A,106B,107B,108B,109B, 111B,112B,113B



UNITS: 312A,412A,512A

UNITS: 205A,206B,207B,208B,209A,209B,211B, 212B,306A,306B,307B,308A,308B,309B,311B,312B, 406A,408A,406B,407B,408B,409B,411B,412B,506A, 508A,506B,507B,508B,509B,511B,512B,606A,608A, 603B,604B,706A,708A,706B,707B,806A,808A,806B, 807B, 906A,908A,906B,907B,1006A,1008A,1006B, 1007B



LEVEL 1 BUILDING B



LEVEL 1 BUILDING A



LEVEL 6 BUILDING B



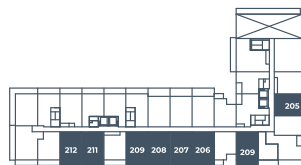
LEVEL 6 BUILDING A



LEVEL 7,8,9,10 BUILDING B



LEVEL 7,8,9,10 BUILDING A



LEVEL 2 BUILDING B



LEVEL 2 BUILDING A



LEVEL 3,4,5 BUILDING B



LEVEL 3,4,5 BUILDING A



All dimensions, specifications, drawings, renderings and floorplans are approximate and are subject to change without notice. Actual dimensions and square footage may vary from that stated herein. Floorplans are not to scale and may be mirror image of what is shown. Window and door locations, size and type may vary without notice. Access to certain balconies or terraces may require step(s) to be installed within the unit. Certain units may have 'bird-friendly' windows or balcony rail. Bulkheads required for construction purposes have not been indicated. Tile patterns may vary. Furniture, island and pantries not included. Balcony, terrace and / or patio square footage is approximate, not included in the suite area and may vary depending on floor level, location and other factors, and is subject to change without notice. E.&O.E.

the highmark